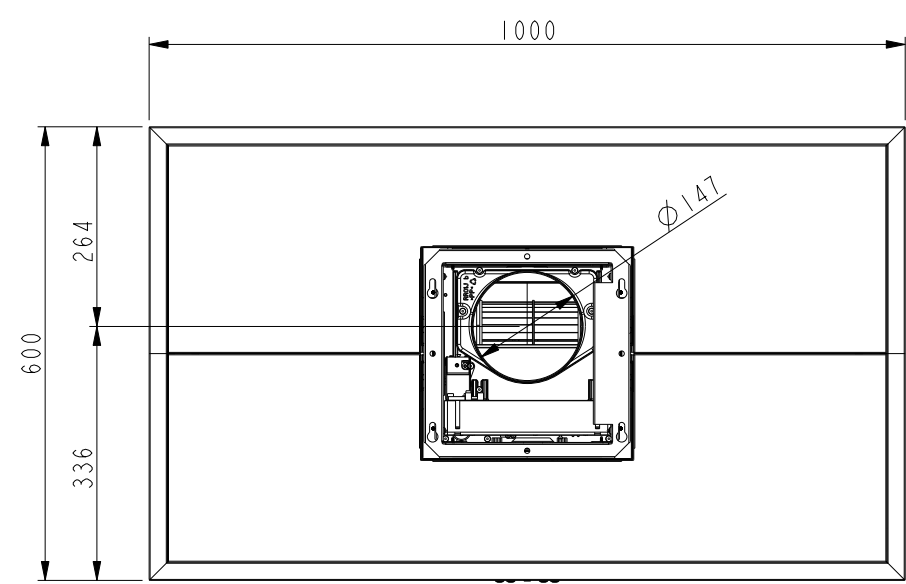
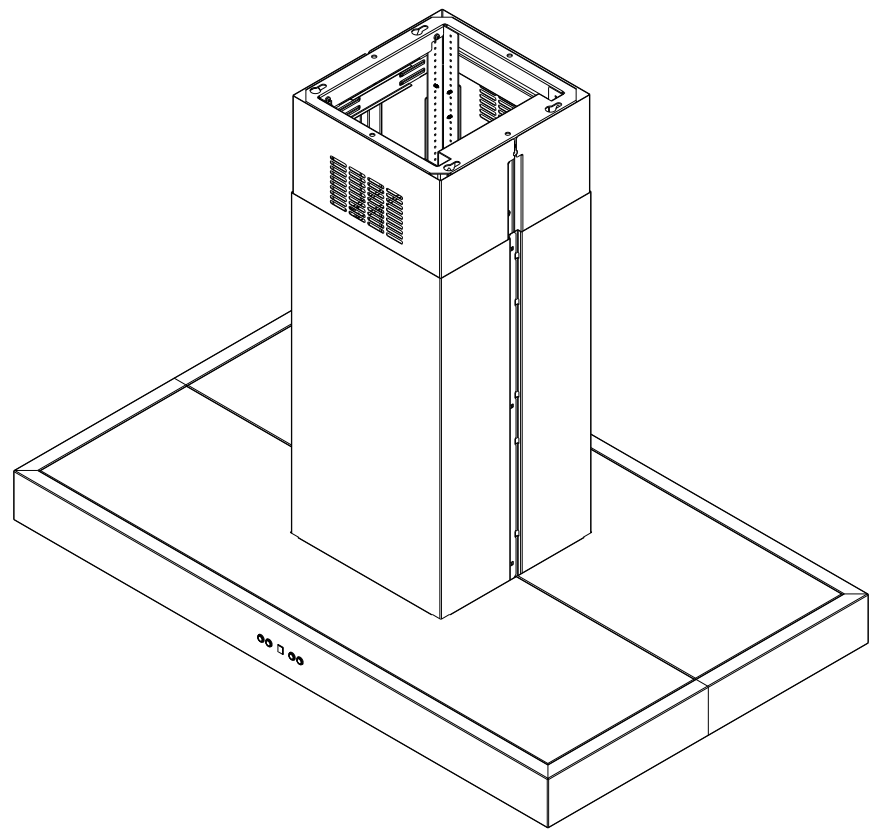


SECTION A-A

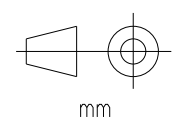


CAM. 560 - 550

DATA	MODIF. NO	DESCRIZIONE MODIFICA	DISEGNATO DA	ESP. MOD.
DATE	MODIF. NO	MODIFICATION DESCRIPTION	DRAWN BY	
Conforme alla Direttiva 2002/95/EC (RoHS) Compliant with Directive 2002/95/EC (RoHS)				
MODELLO	FREE SPOT NS H 80 100 x 60	DISEGNO N.	DW01867	SCALA
MODEL		DRAWING NO.		SCALE
PARTICOLARE	ASSIEME	REL LEVEL		DATA
DETAIL		REL LEVEL		DATE
AREA	0	CAP. TEC.	0.0	REVISIONE
AREA		TEC. SPEC.		REVISION
		SPES.		ITERAZIONE
		TCKN		ITERATION
			A	5
				DISEGNATO DA
				DRAWN BY



www.elica.com



ELABORATO CON SISTEMA CAD DESIGNED BY CAD SYSTEM	QUOTA PRIMARIA XX PRIMARY DIMENSION	ANGOLI Angles ±0°30'	>500 ±0.75	>400-500 ±0.65	>315-400 ±0.60	>250-315 ±0.55	>180-250 ±0.50	>120-180 ±0.45	>80-120 ±0.40	>50-80 ±0.35	>30-50 ±0.30	>18-30 ±0.25	>10-18 ±0.20	>5-10 ±0.15	0-5 ±0.10	LUNGH. E DIAM. LENGHT AND DIAM.
TOLLERANCE UNLESS OTHERWISE STATED																